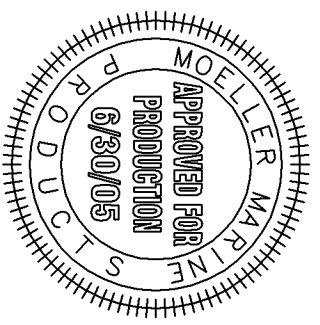
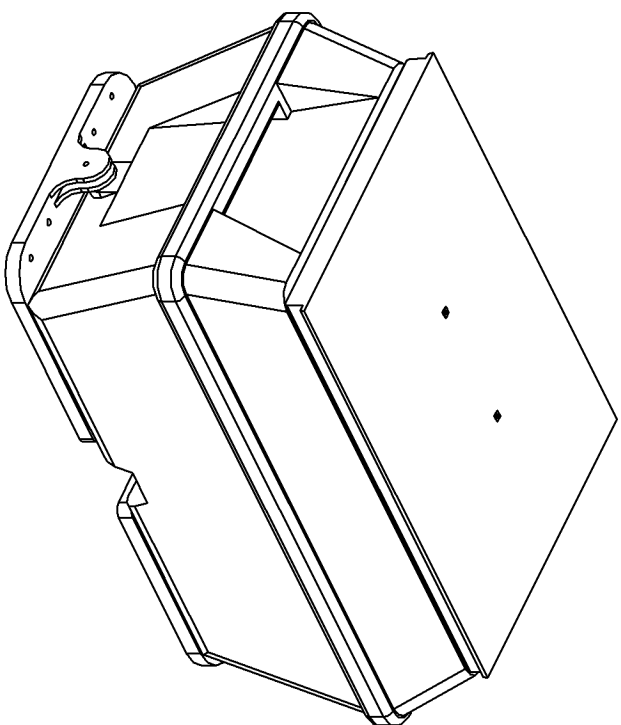


# BILL of MATERIALS

Qty.	PART #	DESCRIPTION
1	LW-866	SMALL COOLER BASE
2	000271	2 1/2" 3" S.S. BUTT HINGE
1	090801-00	COOLER PLUG
60"	099202	COOLER GASKET FOAM
10	164041	5/16" FLAT WASHERS
4	124012	#12 X 1-1/4" PH PN SS SCREW
4	304211	1/4-20 X 1/2" PH PN S.S SCREW
10	304213	1/4-20 X 1" HH C/S S.S. BOLT
2	305881	INJECTION MOLDED PERMANENT MOUNTS
1	PF1005-2	SM INJECTION F/F SEAT BTM W/ RIM FOAM

NO.	REVISION	DATE
1	REPLACE ROTO BOTTOM W/ INJECTION.	5/20/05

NOTE: INJECTION MOLDED BOTTOM ILLUSTRATION  
DOES NOT INCLUDE RIM FOAM.



THIS DRAWING AND THE ATTACHED DRAWINGS (AND THE DATA SHOWN THEREON) IS CONFIDENTIAL AND PROPRIETARY AND SHALL NOT BE USED, DISCLOSED TO OTHERS, REPRODUCED FOR ANY PURPOSE EXCEPT FOR QUOTATION TO OR ORDER BY MOELLER MARINE PRODUCTS, INC. AND/OR IT'S SUBSIDIARIES WITHOUT THEIR WRITTEN CONSENT TO THE USE OF SUCH DRAWINGS AND/OR DATA.

		DESCRIPTION	SMALL F/F COOLER, INJECTION BOTTOM W/ RIM FOAM; NO UPHOLSTERY - ASSEMBLY
		PART #	ST2901
MATERIAL		COLOR	WHITE
TOLERANCES		±1.5% UNLESS OTHERWISE NOTED	
DRAWN BY		DATE	6/30/05
MOELLER ENGINEERING			