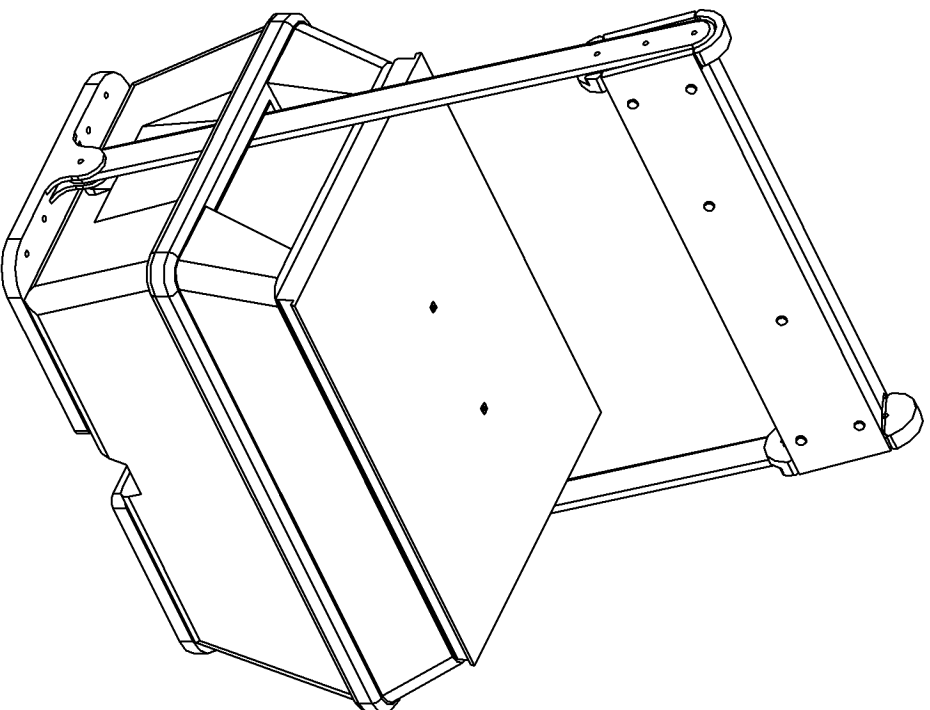


BILL of MATERIALS

Qty.	PART #	DESCRIPTION
1	LW-866	SMALL COOLER BASE
2	000261	33.5" X 2" X 0.312" ALUM. BAR
2	000271	2 1/2" 3" S.S. BUTT HINGE
1	090801-00	COOLER PLUG
60"	099202	COOLER GASKET FOAM
10	164041	5/16" FLAT WASHERS
2	304210	1/4-20 X 5/16 X 3/4" SHDR BOLT
4	124012	#12 X 1-1/4" PH PN SS SCREW
4	304211	1/4-20 X 1/2" PH PN S.S SCREW
6	304216	1/4-20 X 1-1/4" PH OV S.S. SCREW
10	304213	1/4-20 X 1" HH C/S S.S. BOLT
2	305881	INJECTION MOLDED PERMANENT MOUNTS
1	PF1005-1	SM INJECTION F/F SEAT BACK W/ RIM FOAM
1	PF1005-2	SM INJECTION F/F SEAT BTM W/ RIM FOAM

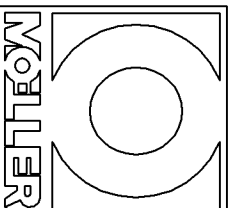
NOTE: BACK & BOTTOM ILLUSTRATIONS
DO NOT INCLUDE RIM FOAM.



NO.	REVISION	DATE
1	REPLACE ROTO BACK & BTM W/ INJECTION.	6/30/05

PAGE 1 OF 2

THIS DRAWING AND THE ATTACHED DRAWINGS (AND THE DATA SHOWN THEREON) IS CONFIDENTIAL AND PROPRIETARY AND SHALL NOT BE USED, DISCLOSED TO OTHERS, REPRODUCED FOR ANY PURPOSE EXCEPT FOR QUOTATION TO OR ORDER BY MOELLER MARINE PRODUCTS, INC. AND/OR ITS SUBSIDIARIES WITHOUT THEIR WRITTEN CONSENT TO THE USE OF SUCH DRAWINGS AND/OR DATA.



DESCRIPTION	SMALL F/F COOLER, INJECTION BACK & BTM W/ RIM FOAM; NO UPHOLSTERY - ASSEMBLY		
PART #	ST2900	COLOR	WHITE
MATERIAL	LINEAR POLYETHYLENE		
TOLERANCES	±1.5% UNLESS OTHERWISE NOTED		
DRAWN BY	MOELLER ENGINEERING	DATE	6/30/05

