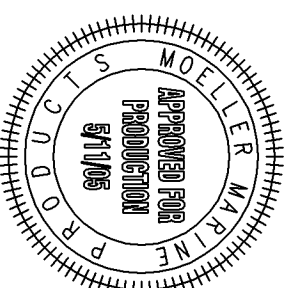
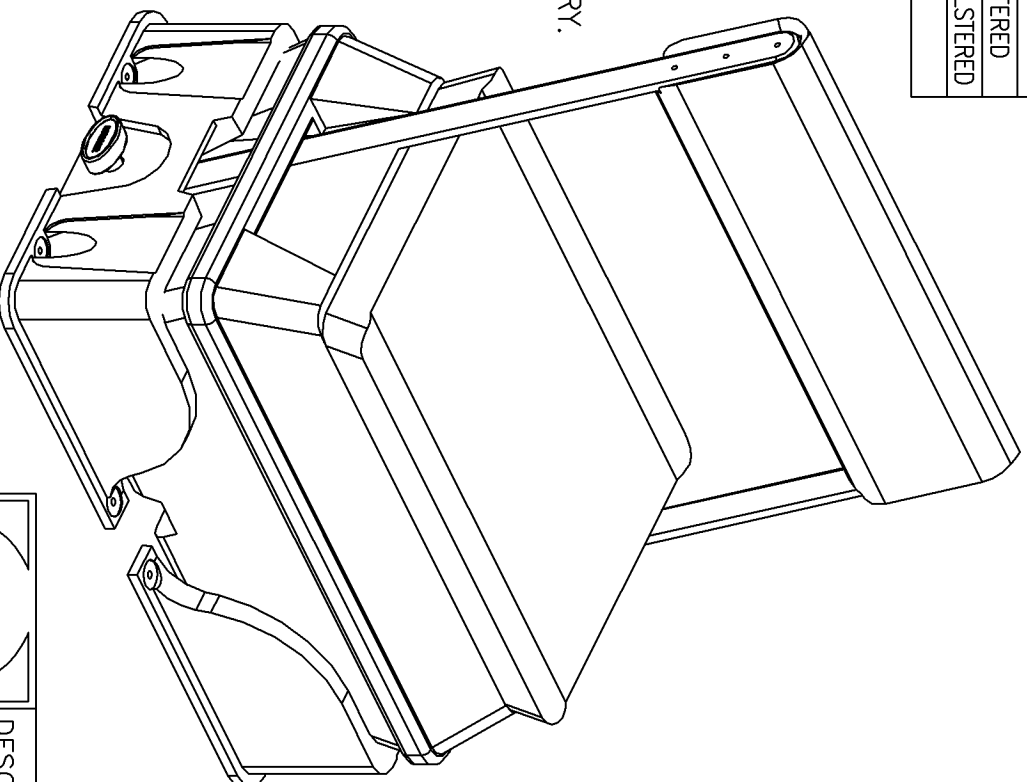


# BILL of MATERIALS

Qty.	PART #	DESCRIPTION
1	LW-702	75 QT. COOLER W/ FOAM
2	000261	33.5" X 2" X 0.312" ALUM. BAR
2	000271	2 1/2" 3" S.S. BUTT HINGE
1	090801-00	COOLER PLUG
8	304211	1/4-20 X 1/2" PH PN S.S. SCREW
6	304212	1/4-20 X 3/4" PH OV S.S. SCREW
2	305569-1	5/16 X 4" MOELLER HANDLE (GRAY)
1	002033	ROTO-MOLDED F/F SEAT BACK - UPHOLSTERED
1	002034	ROTO-MOLDED F/F SEAT BOTTOM - UPHOLSTERED
2	ST1444	ROTO-MOLDED REMOVABLE MOUNTS

NO. \_\_\_\_\_ REVISION \_\_\_\_\_ DATE \_\_\_\_\_

NOTE: BACK & BOTTOM ILLUSTRATIONS  
DO NOT INCLUDE CUT FOAM OR UPHOLSTERY.



THIS DRAWING AND THE ATTACHED DRAWINGS (AND THE DATA SHOWN THEREON) IS CONFIDENTIAL AND PROPRIETARY AND SHALL NOT BE USED, DISCLOSED TO OTHERS, REPRODUCED FOR ANY PURPOSE EXCEPT FOR QUOTATION TO OR ORDER BY MOELLER MARINE PRODUCTS, INC. AND/OR IT'S SUBSIDIARIES WITHOUT THEIR WRITTEN CONSENT TO THE USE OF SUCH DRAWINGS AND/OR DATA.

		DESCRIPTION	SMALL DELUXE F/F COOLER, ROTO BACK & BOTTOM W/ FOAM & UPHOLSTERY - ASSEMBLY
		PART #	ST2880
MATERIAL		COLOR	WHITE
TOLERANCES		±1.5% UNLESS OTHERWISE NOTED	
WALL THK.		DATE	5/11/05
DRAWN BY		MOELLER ENGINEERING	