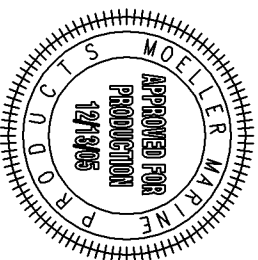
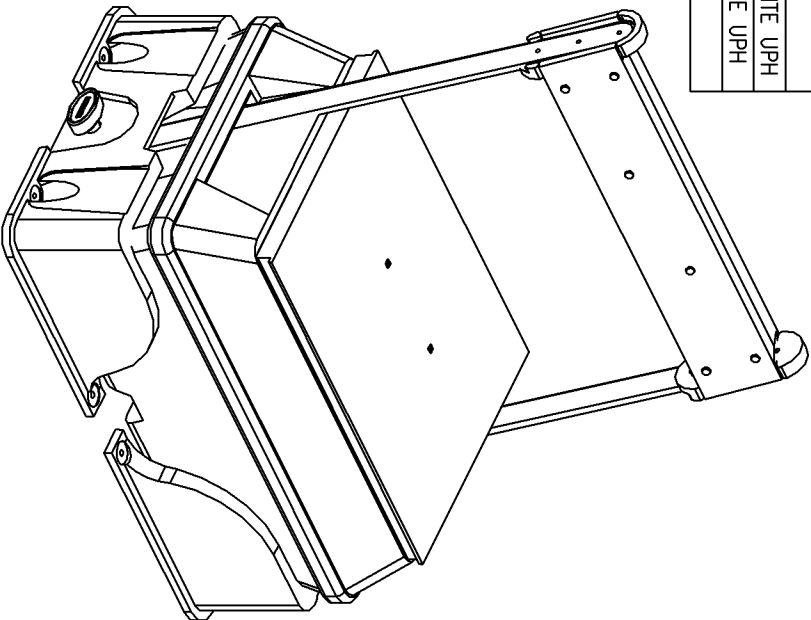


# BILL of MATERIALS

Qty.	PART #	DESCRIPTION
1	LW-702L	50 QT. COOLER W/ FOAM (OFF WHITE)
2	000261	33.5" X 2" X 0.312" ALUM. BAR
2	000271	2 1/2" 3" S.S. BUTT HINGE
1	090801-00	COOLER PLUG
50.00*	099202	COOLER GASKET FOAM
4	124012	#12 X 1-1/4 PH PN SS SCREW
4	304211	1/4-20 X 1/2" PH PN SS SCREW
6	304216	1/4-20 X 3/4" PH OV SS SCREW
2	305569-1	5/16 X 4" MOELLER HANDLE (GRAY)
1	PF1005-5	SM. INJ. F/F SEAT BACK W/ RIM FOAM & OFF WHITE UPH
1	PF1005-6	SM. INJ. F/F SEAT BTM W/ RIM FOAM & OFF WHITE UPH
2	ST1444L	ROTO-MOLDED REMOVABLE MOUNTS (OFF WHITE)

NO.	REVISION	DATE
1	REPLACE WHITE UPHOLSTERY W/ OFF WHITE UPH	12/13/05

NOTE: BACK & BOTTOM ILLUSTRATIONS  
DO NOT INCLUDE RIM FOAM OR UPHOLSTERY.



THIS DRAWING AND THE ATTACHED DRAWINGS (AND THE DATA SHOWN THEREON) IS CONFIDENTIAL AND PROPRIETARY AND SHALL NOT BE USED, DISCLOSED TO OTHERS, REPRODUCED FOR ANY PURPOSE EXCEPT FOR QUOTATION TO OR ORDER BY MOELLER MARINE PRODUCTS, INC. AND/OR ITS SUBSIDIARIES WITHOUT THEIR WRITTEN CONSENT TO THE USE OF SUCH DRAWINGS AND/OR DATA.

DESCRIPTION	SMALL DELUXE F/F COOLER, INJECTION BACK & BTM W/ RIM FOAM & UPHOLSTERY - ASSEMBLY
PART #	ST2800L
MATERIAL	COLOR OFF WHITE
TOLERANCES	±1.5% UNLESS OTHERWISE NOTED
WALL THK.	DATE 6/17/05
DRAWN BY	MOELLER ENGINEERING