

# BILL of MATERIALS

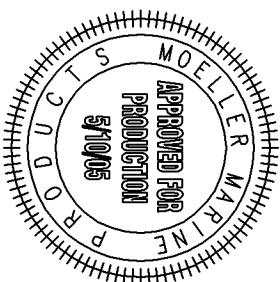
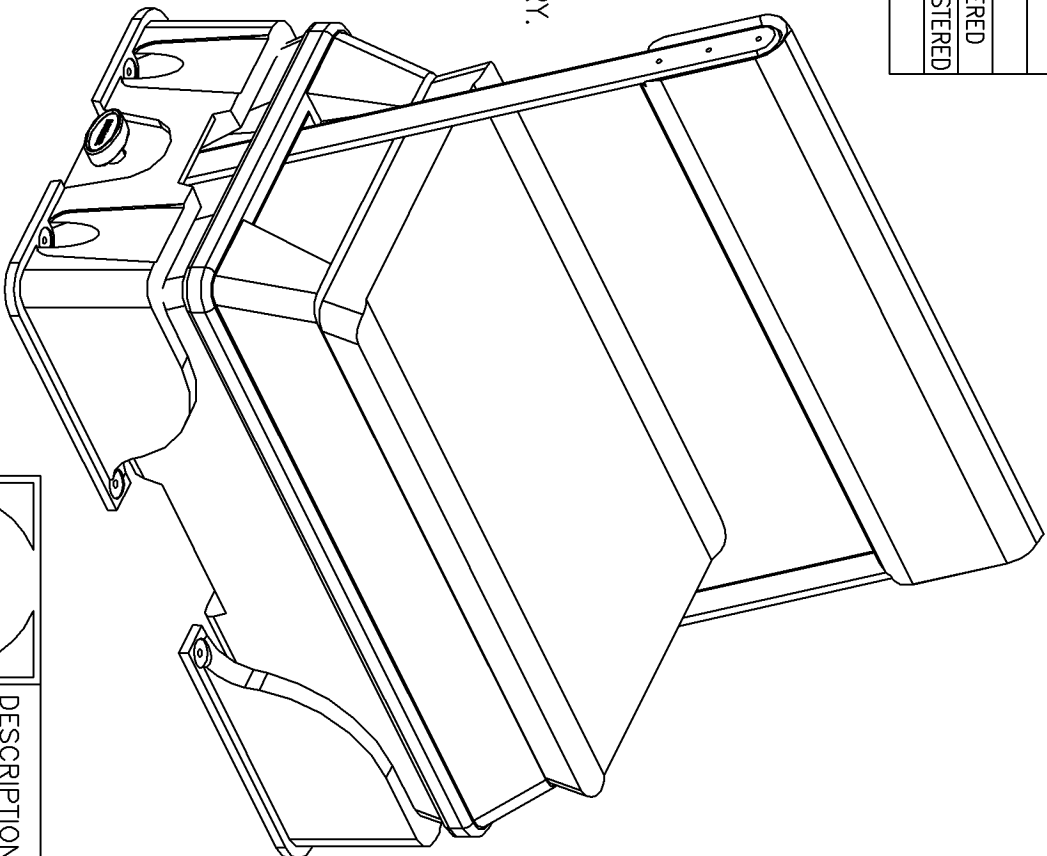
NO.

REVISION

DATE

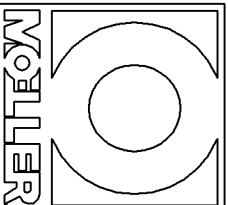
Qty.	PART #	DESCRIPTION
1	LW-714	75 QT. COOLER W/ FOAM & WHEEL OPT.
2	000261	33.5" X 2" X 0.312" ALUM. BAR
2	000271	2-1/2" 3" S.S. BUTT HINGE
2	090801-00	COOLER PLUG
8	304211	1/4-20 X 1/2" PH PN S.S. SCREW
6	304212	1/4-20 X 3/4" PH OV S.S. SCREW
2	305569-1	5/16 X 4" MOELLER HANDLE (GRAY)
1	002030	ROTO-MOLDED F/F SEAT BACK - UPHOLSTERED
1	002031	ROTO-MOLDED F/F SEAT BOTTOM - UPHOLSTERED
2	ST1444	ROTO-MOLDED REMOVABLE MOUNTS

NOTE: BACK & BOTTOM ILLUSTRATIONS  
DO NOT INCLUDE CUT FOAM OR UPHOLSTERY.



PAGE 1 OF 2

THIS DRAWING AND THE ATTACHED DRAWINGS (AND THE DATA SHOWN THEREON) IS CONFIDENTIAL AND PROPRIETARY AND SHALL NOT BE USED, DISCLOSED TO OTHERS, REPRODUCED FOR ANY PURPOSE EXCEPT FOR QUOTATION TO OR ORDER, BY MOELLER MARINE PRODUCTS, INC. AND/OR IT'S SUBSIDIARIES WITHOUT THEIR WRITTEN CONSENT TO THE USE OF SUCH DRAWINGS AND/OR DATA.



DESCRIPTION	LARGE DELUXE F/F COOLER, ROTO BACK & BOTTOM; W/ FOAM & UPHOLSTERY - ASSEMBLY		
PART #	ST2680	COLOR	WHITE
MATERIAL			
TOLERANCES	±1.5% UNLESS OTHERWISE NOTED		
WALL THK.	DATE	5/10/05	
DRAWN BY	MOELLER ENGINEERING		