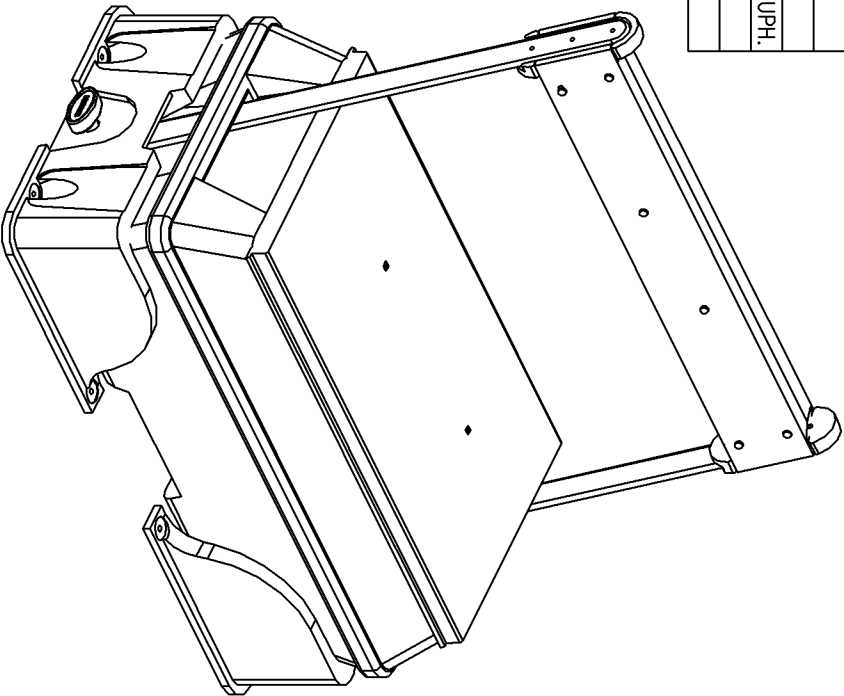


BILL of MATERIALS

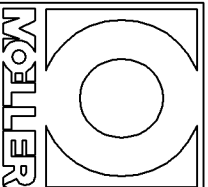
Qty.	PART #	DESCRIPTION
1	LW-714L	72 QT. COOLER W/ FOAM & WHEEL OPT. (OFF WHITE)
2	000261	33.5" X 2" X 0.312" ALUM. BAR
2	000271	2-1/2" 3" S.S. BUTT HINGE
2	090801-00	COOLER PLUG
80.00"	099202	COOLER GASKET FOAM
4	304211	1/4-20 X 1/2" PH PN S.S. SCREW
4	124012	#12 X 1-1/4" PH PN S.S. SCREW
6	304216	1/4-20 X 3/4" PH OV S.S. SCREW
2	305569-1	5/16 X 4" MOELLER HANDLE (GRAY)
1	PF1006-8	INJ F/F SEAT BACK W/ RIM FOAM & OFF WHITE UPH.
1	PF1006-9	INJ SEAT BTM W/ RIM FOAM & OFF WHITE UPH.
2	ST1444L	ROTO-MOLDED REMOVABLE MOUNTS (OFF WHITE)

NOTE: BACK & BOTTOM ILLUSTRATIONS
DO NOT INCLUDE RIM FOAM OR UPHOLSTERY.



NO.	REVISION	DATE
1	REPLACE WHITE UPHOLSTERY W/ OFF WHITE UPH.	12/13/05

THIS DRAWING AND THE ATTACHED DRAWINGS (AND THE DATA SHOWN THEREON) IS CONFIDENTIAL AND PROPRIETARY AND SHALL NOT BE USED, DISCLOSED TO OTHERS, REPRODUCED FOR ANY PURPOSE EXCEPT FOR QUOTATION TO OR ORDER BY MOELLER MARINE PRODUCTS, INC. AND/OR ITS SUBSIDIARIES WITHOUT THEIR WRITTEN CONSENT TO THE USE OF SUCH DRAWINGS AND/OR DATA.



DESCRIPTION	LARGE DELUXE F/F COOLER, INJECTION BACK & BTM W/ RIM FOAM & UPHOLSTERY - ASSEMBLY
PART #	ST2600L
MATERIAL	COLOR OFF WHITE
TOLERANCES	±1.5% UNLESS OTHERWISE NOTED
WALL THK.	DATE 12/13/05
DRAWN BY	MOELLER ENGINEERING

