

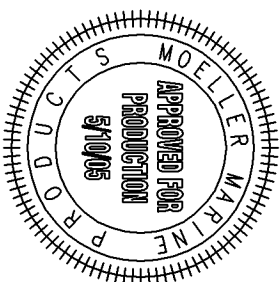
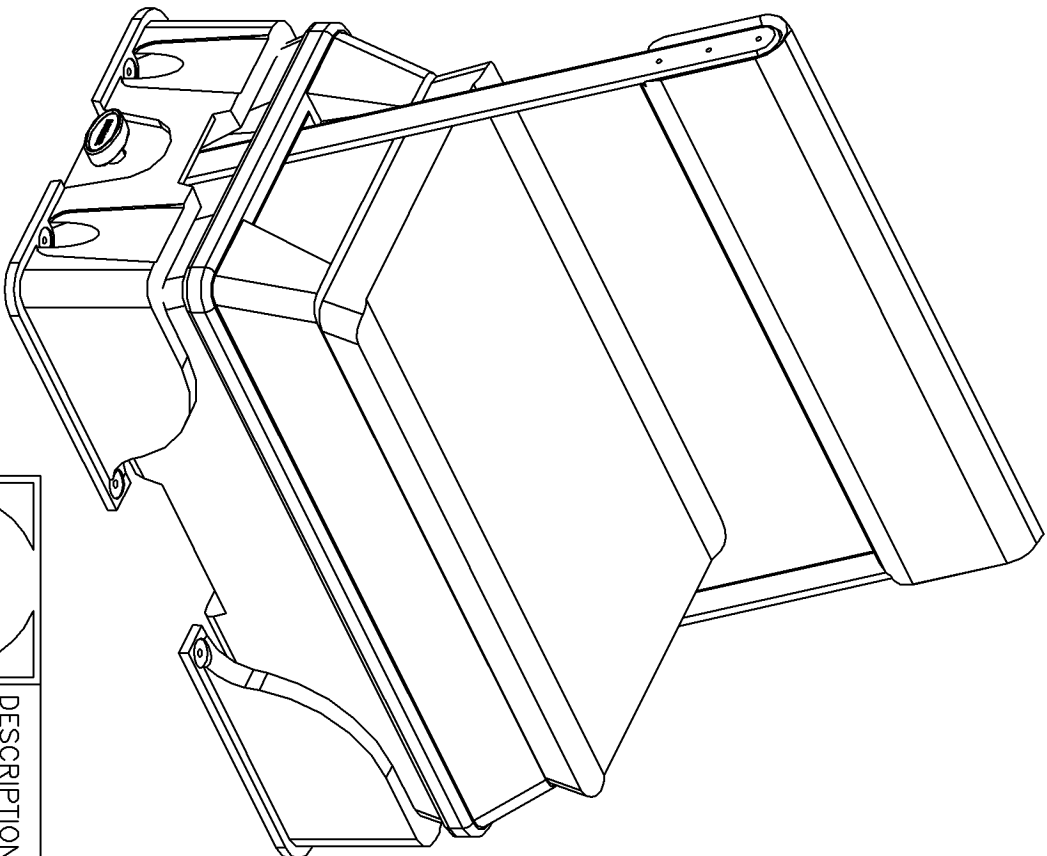
BILL of MATERIALS

Qty.	PART #	DESCRIPTION
1	LW-714	75 QT. COOLER W/ FOAM & WHEEL OPT.
2	000261	33.5" X 2" X 0.312" ALUM. BAR
2	000271	2-1/2" 3" S.S. BUTT HINGE
2	090801-00	COOLER PLUG
8	304211	1/4-20 X 1/2" PH PN S.S. SCREW
6	304212	1/4-20 X 3/4" PH OV S.S. SCREW
2	305569-1	5/16 X 4" MOELLER HANDLE (GRAY)
1	ST1060	ROTO-MOLDED FLIP/FLOP SEAT BACK
1	ST1398	ROTO-MOLDED FLIP/FLOP SEAT BOTTOM
2	ST1444	ROTO-MOLDED REMOVABLE MOUNTS

NO.

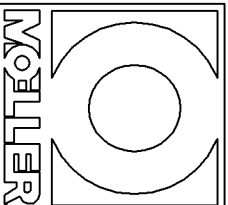
REVISION

DATE



PAGE 1 OF 2

THIS DRAWING AND THE ATTACHED DRAWINGS (AND THE DATA SHOWN THEREON) IS CONFIDENTIAL AND PROPRIETARY AND SHALL NOT BE USED, DISCLOSED TO OTHERS, REPRODUCED FOR ANY PURPOSE EXCEPT FOR QUOTATION TO OR ORDER BY MOELLER MARINE PRODUCTS, INC. AND/OR IT'S SUBSIDIARIES WITHOUT THEIR WRITTEN CONSENT TO THE USE OF SUCH DRAWINGS AND/OR DATA.



DESCRIPTION	LARGE DELUXE F/F COOLER, ROTO BACK & BOTTOM; NO FOAM OR UPHOLSTERY - ASSEMBLY	
PART #	ST2580	COLOR WHITE
MATERIAL		
TOLERANCES	±1.5% UNLESS OTHERWISE NOTED	
WALL THK.	DATE	5/10/05
DRAWN BY	MOELLER ENGINEERING	