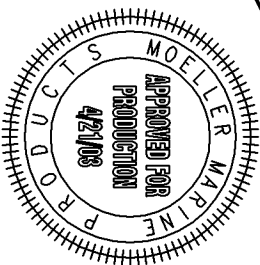
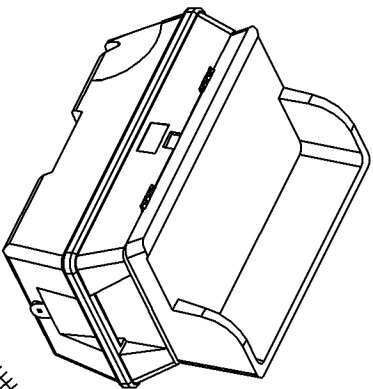
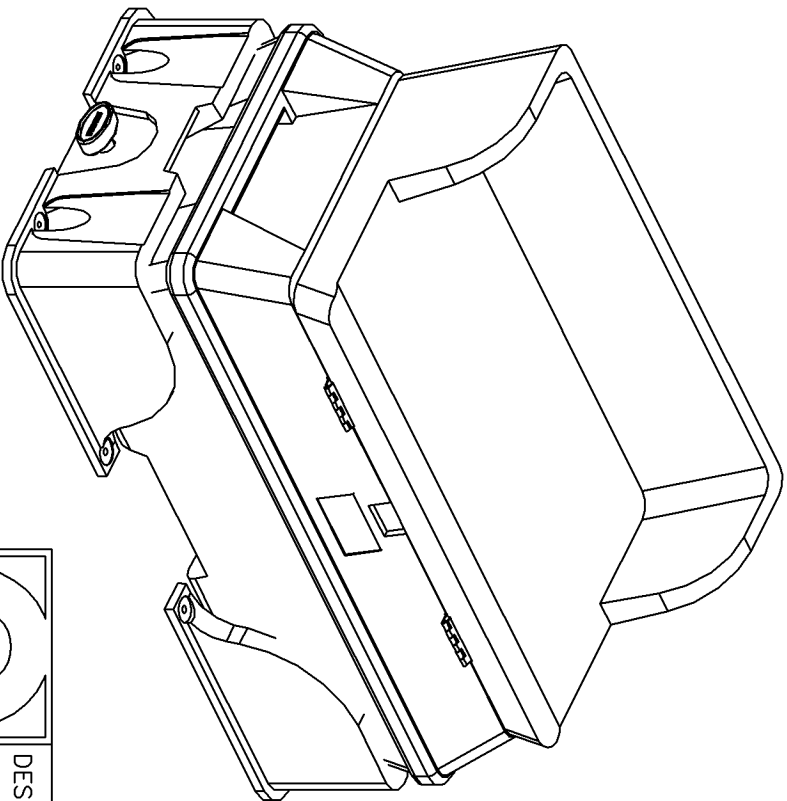


# BILL of MATERIALS

Qty.	PART #	DESCRIPTION
1	LW-714	75 QT. COOLER W/ FOAM & WHEEL OPT.
2	000271	2 1/2" 3" S.S. BUTT HINGE
2	090801-00	COOLER PLUG
8	304211	1/4-20 X 1/2" PH PN S.S SCREW
2	305569-1	5/16 X 4" MOELLER HANDLE (GRAY)
1	ST1399	HELMSMEN SEAT BOTTOM
1	ST1444	ROTO MOLDED FLIP/FLOP SEAT BASE

NO.	REVISION	DATE
1	REPLACE 099801 WITH 090801-00	7/11/02



THIS DRAWING AND THE ATTACHED DRAWINGS (AND THE DATA SHOWN THEREON) IS CONFIDENTIAL AND PROPRIETARY AND SHALL NOT BE USED, DISCLOSED TO OTHERS, REPRODUCED FOR ANY PURPOSE EXCEPT FOR QUOTATION TO OR ORDER BY MOELLER MARINE PRODUCTS, INC. AND/OR ITS SUBSIDIARIES WITHOUT THEIR WRITTEN CONSENT TO THE USE OF SUCH DRAWINGS AND/OR DATA.



DESCRIPTION	DELUXE HELMSMEN SEAT/COOLER	
PART #	ST2502	COLOR
MATERIAL		
TOLERANCES	±1.5% UNLESS OTHERWISE NOTED	
WALL THK.		DATE 7/11/02
DRAWN BY	MOELLER ENGINEERING	