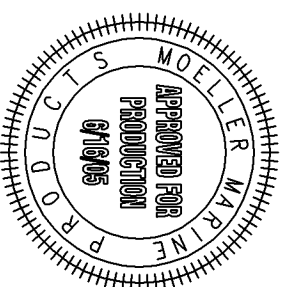
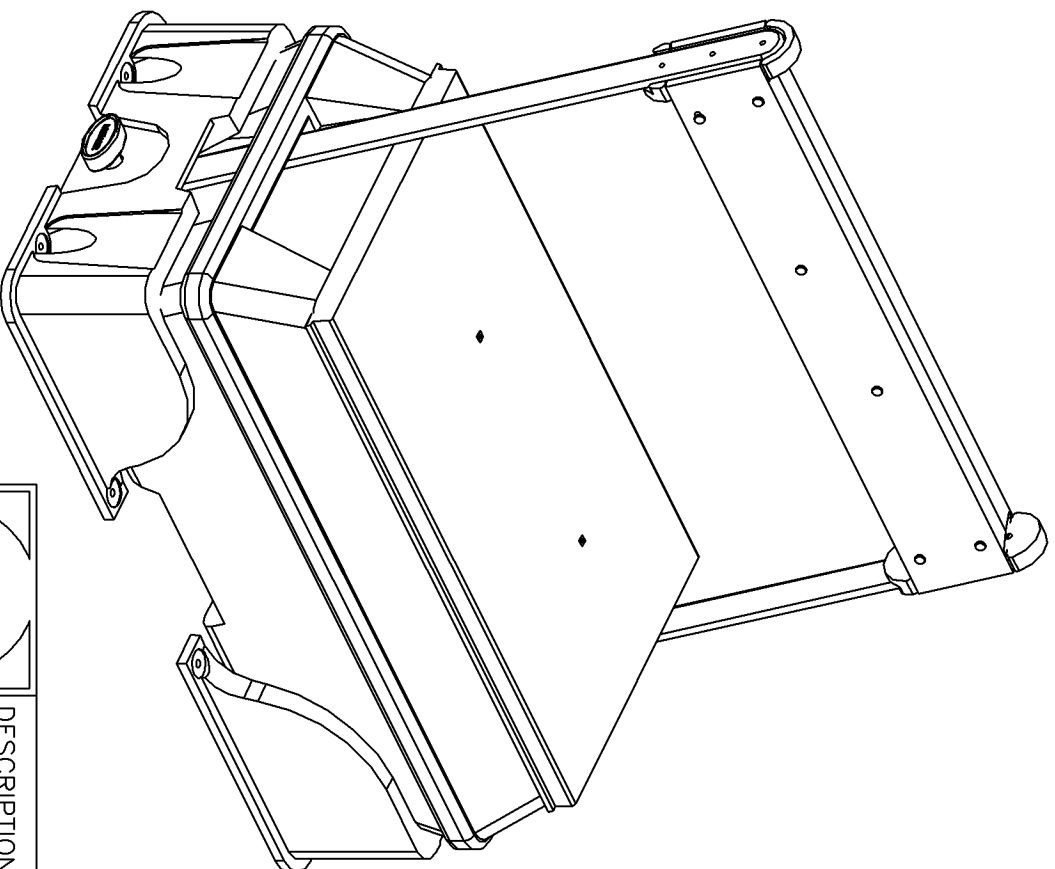


BILL of MATERIALS

Qty.	PART #	DESCRIPTION
1	LW-714	72 QT. COOLER W/ FOAM & WHEEL OPT.
2	000261	33.5" X 2" X 0.312" ALUM. BAR
2	000271	2-1/2" 3" S.S. BUTT HINGE
2	090801-00	COOLER PLUG
80.00"	099202	COOLER GASKET FOAM
4	124012	#12 X 1-1/4" PH PN S.S SCREW
4	304211	1/4-20 X 1/2" PH PN S.S SCREW
6	304216	1/4-20 X 3/4" PH OV S.S. SCREW
2	305569-1	5/16 X 4" MOELLER HANDLE (GRAY)
1	PF1006-1	INJECTION F/F SEAT BACK W/ RIM FOAM
1	PF1006-2	INJECTION F/F SEAT BTM W/ RIM FOAM
2	ST1444	ROTO-MOLDED REMOVABLE MOUNTS

NO.	REVISION	DATE
1	REPLACE 099801 WITH 090801-00	7/11/02
2	REPLACE ROTO BACK & BOTTOM W/ INJECTION.	5/10/05

NOTE: BACK & BOTTOM ILLUSTRATIONS
DO NOT INCLUDE RIM FOAM.



THIS DRAWING AND THE ATTACHED DRAWINGS (AND THE DATA SHOWN THEREON) IS CONFIDENTIAL AND PROPRIETARY AND SHALL NOT BE USED, DISCLOSED TO OTHERS, REPRODUCED FOR ANY PURPOSE EXCEPT FOR QUOTATION TO OR ORDER BY MOELLER MARINE PRODUCTS, INC. AND/OR ITS SUBSIDIARIES WITHOUT THEIR WRITTEN CONSENT TO THE USE OF SUCH DRAWINGS AND/OR DATA.

DESCRIPTION	LARGE DELUXE F/F COOLER, INJECTION BACK & BTM W/ RIM FOAM; NO UPHOLSTERY - ASSEMBLY
PART #	ST2500
MATERIAL	COLOR WHITE
TOLERANCES	±1.5% UNLESS OTHERWISE NOTED
WALL THK.	DATE 6/16/05
DRAWN BY	MOELLER ENGINEERING