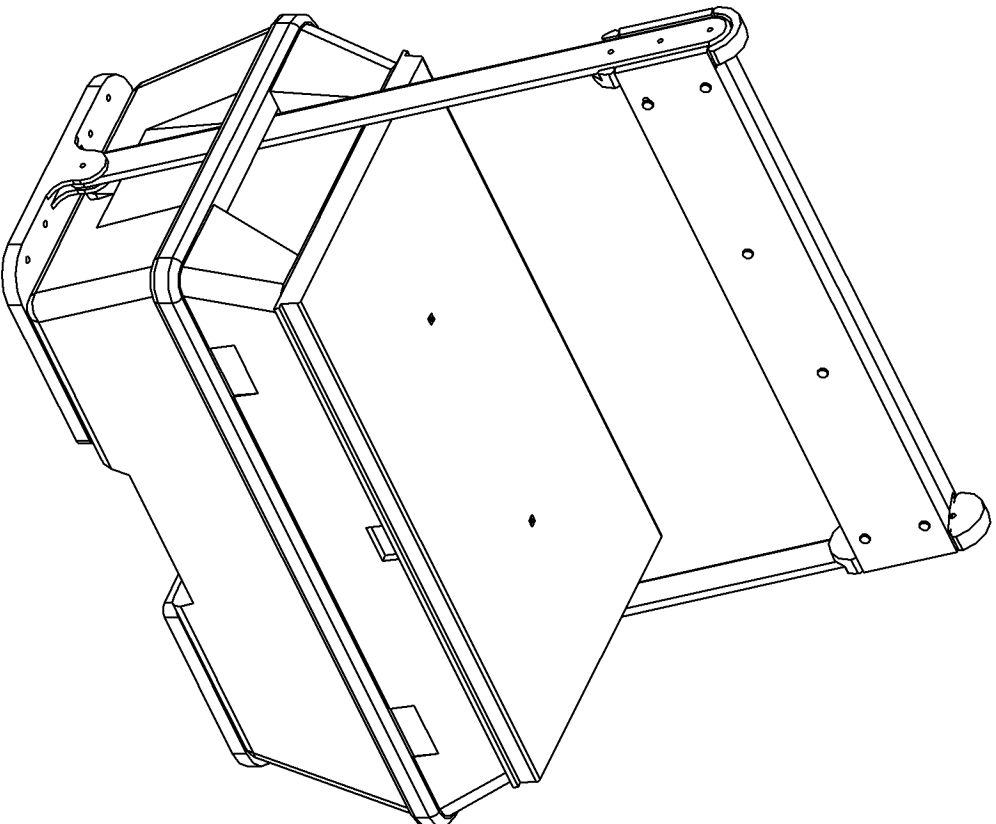


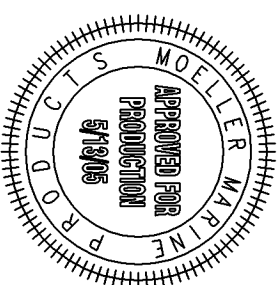
BILL of MATERIALS

Qty.	PART #	DESCRIPTION
1	LW-861	COOLER BASE
2	000261	33.5" X 2" X 0.312" ALUM. BAR
2	000271	2 1/2" 3" S.S. BUTT HINGE
1	090801-00	COOLER PLUG
1.167'	099202	COOLER GASKET FOAM
10	164041	5/16" FLAT WASHERS
4	124012	#12 X 1-1/4 PH PN SS SCREW
2	304210	1/4-20 X 5/16 X 3/4" SHDR BOLT
4	304211	1/4-20 X 1/2" PH PN S.S. SCREW
6	304216	1/4-20 X 1-1/4" PH OV S.S. SCREW
10	304213	1/4-20 X 1" HH C/S S.S. BOLT
2	305881	INJECTION MOLDED PERMANENT MOUNTS
1	PF1006-6	INU F/F SEAT BACK W/ RIM FOAM & PROLINE UPH.
1	PF1006-7	INU F/F SEAT BTM W/ RIM FOAM & PROLINE UPH.

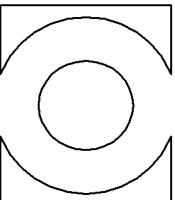
NOTE: BACK & BOTTOM ILLUSTRATIONS
DO NOT INCLUDE RIM FOAM OR UPHOLSTERY.



NO.	REVISION	DATE
1	REPLACE ROTO BACK & BTM W/ INJECTION.	5/13/05



THIS DRAWING AND THE ATTACHED DRAWINGS (AND THE DATA SHOWN THEREON) IS CONFIDENTIAL AND PROPRIETARY AND SHALL NOT BE USED, DISCLOSED TO OTHERS, REPRODUCED FOR ANY PURPOSE EXCEPT FOR QUOTATION TO OR ORDER BY MOELLER MARINE PRODUCTS, INC. AND/OR ITS SUBSIDIARIES WITHOUT THEIR WRITTEN CONSENT TO THE USE OF SUCH DRAWINGS AND/OR DATA.

		DESCRIPTION	LARGE F/F COOLER, INJECTION BACK & BOTTOM W/ RIM FOAM & PROLINE UPHOLSTERY - ASSEMBLY
		PART #	ST2200P-1
MATERIAL	LINEAR POLYETHYLENE	COLOR	WHITE
TOLERANCES	±1.5% UNLESS OTHERWISE NOTED		
DRAWN BY	MOELLER ENGINEERING	DATE	5/13/05