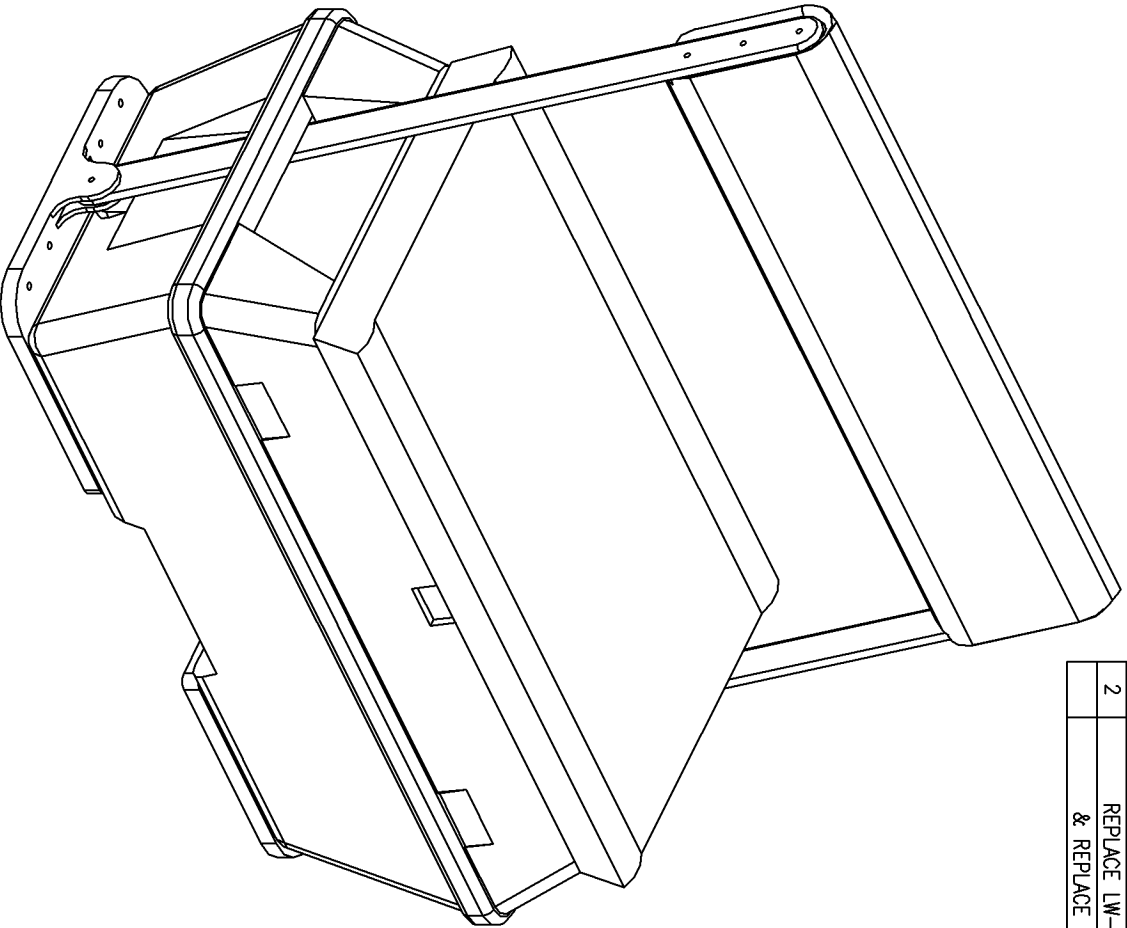
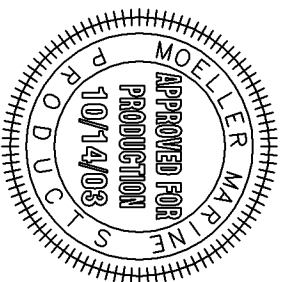


# BILL of MATERIALS

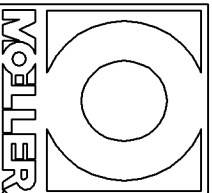
Qty.	PART #	DESCRIPTION
1	LW-861F	COOLER BASE (GRAY)
2	000261	33.5" X 2" X 0.312" ALUM. BAR
2	000271	2 1/2" 3" S.S. BUTT HINGE
1	090801-00	COOLER PLUG
10	164041	5/16" FLAT WASHERS
2	304210	1/4-20 X 5/16 X 3/4" SHDR BOLT
8	304211	1/4-20 X 1/2" PH PN S.S. SCREW
6	304212	1/4-20 X 3/4" PH OV S.S. SCREW
10	304213	1/4-20 X 1" HH C/S S.S. BOLT
2	305681F	FLIP/FLOP ST. BASE MOUNT (GRAY)
1	ST1060	FLIP/FLOP SEAT BACK
1	ST1398	FLIP/FLOP SEAT BOTTOM



NO.	REVISION	DATE
1	REPLACE 099801 WITH 090801-00	7/11/02
2	REPLACE LW-216F WITH LW-861F & REPLACE ST1061 WITH ST1398	1/7/03



THIS DRAWING AND THE ATTACHED DRAWINGS (AND THE DATA SHOWN THEREON) IS CONFIDENTIAL AND PROPRIETARY AND SHALL NOT BE USED, DISCLOSED TO OTHERS, REPRODUCED FOR ANY PURPOSE EXCEPT FOR QUOTATION TO OR ORDER BY MOELLER MARINE PRODUCTS, INC. AND/OR ITS SUBSIDIARIES WITHOUT THEIR WRITTEN CONSENT TO THE USE OF SUCH DRAWINGS AND/OR DATA.



DESCRIPTION	COOLER SEAT ASSY		
PART #	ST2100F	COLOR	GRAY
MATERIAL	LINEAR POLYETHYLENE		
TOLERANCES	±1.5% UNLESS OTHERWISE NOTED		
DRAWN BY	MOELLER ENGINEERING	DATE	1/7/03