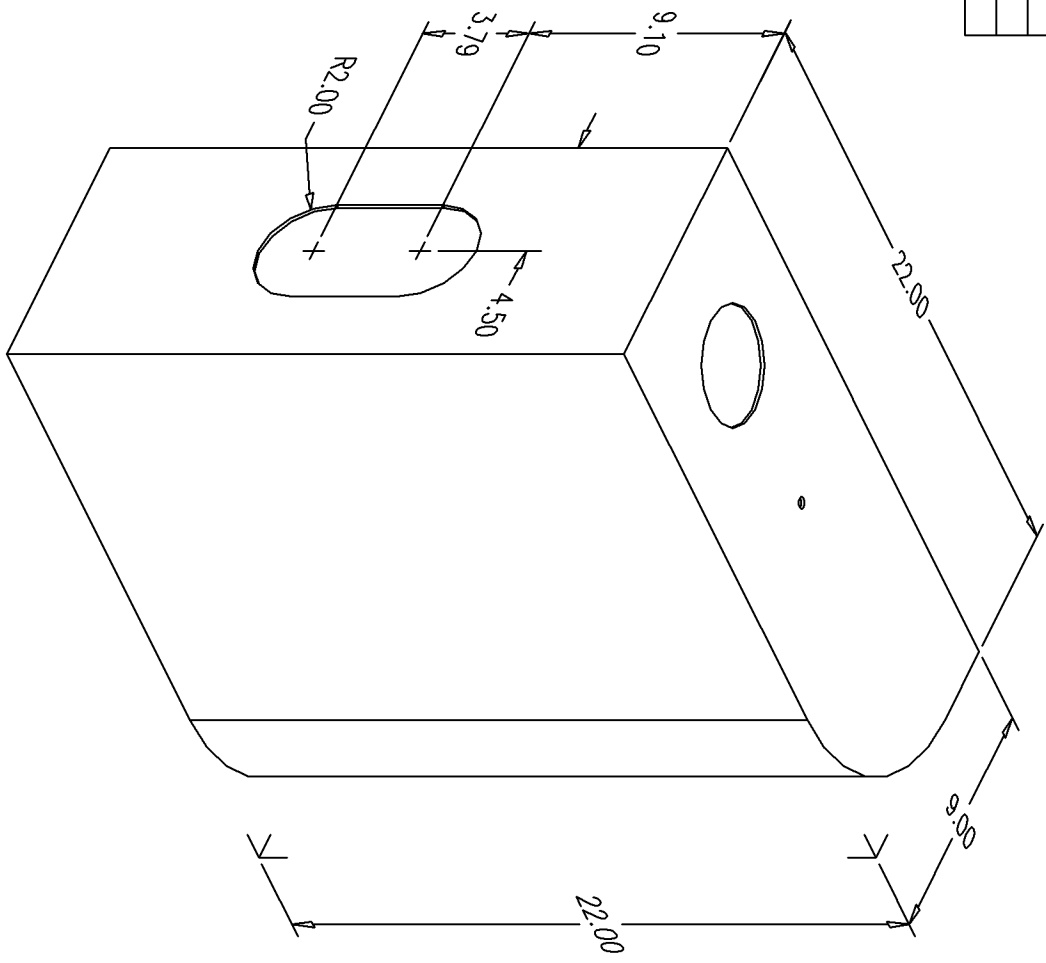


BILL of MATERIALS

Qty.	DESCRIPTION
2	Ø3.875 DRILLED HOLES
2	Ø0.38 DRAIN HOLE
1	CUT-OUT
	OVERALL HEIGHT 22.00"

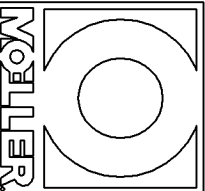
NO.	REVISION	DATE



NOTE: ALL EDGES R0.38
UNLESS OTHERWISE NOTED

PAGE 1 OF 2

THIS DRAWING AND THE ATTACHED DRAWINGS (AND THE DATA SHOWN THEREON) IS CONFIDENTIAL AND PROPRIETARY AND SHALL NOT BE USED, DISCLOSED TO OTHERS, REPRODUCED FOR ANY PURPOSE EXCEPT FOR QUOTATION TO OR ORDER BY MOELLER MARINE PRODUCTS, INC. AND/OR ITS SUBSIDIARIES WITHOUT THEIR WRITTEN CONSENT TO THE USE OF SUCH DRAWINGS AND/OR DATA.



DESCRIPTION	RIGHT RADIUS ARM REST
PART #	ST1537H
MATERIAL	LINEAR POLYETHYLENE
TOLERANCES	±1.5% UNLESS OTHERWISE NOTED
WALL THK.	0.155" NOMINAL
DRAWN BY	MOELLER ENGINEERING
	COLOR BLACK
	DATE 4/12/07

