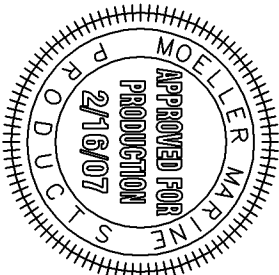
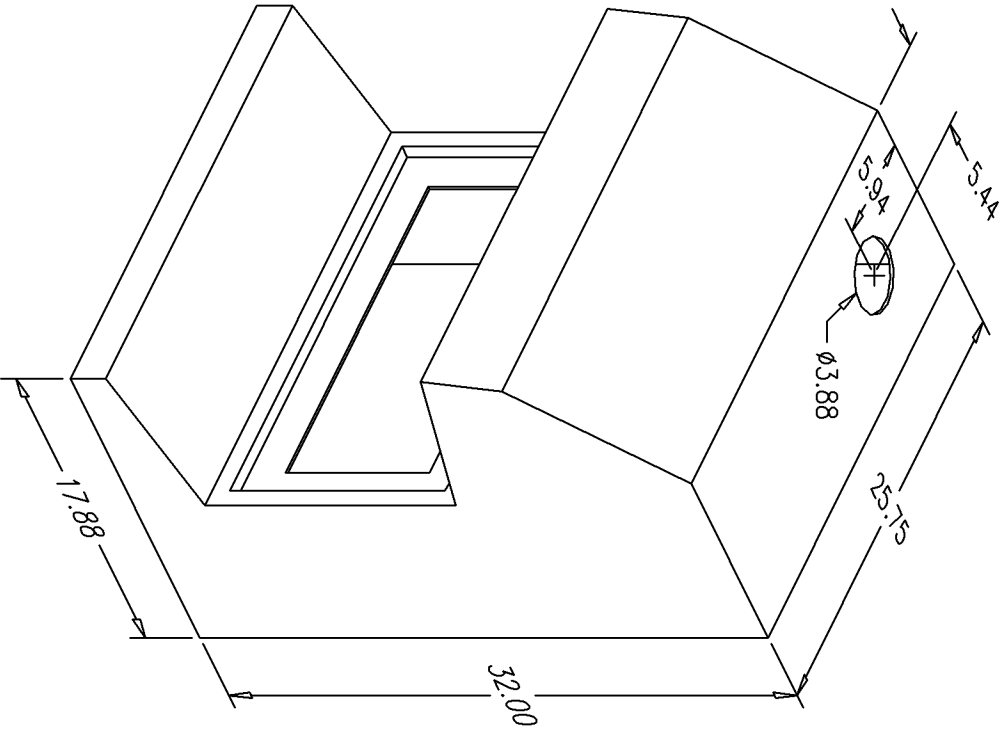


BILL of MATERIALS

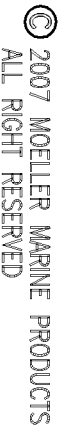
Qty.	DESCRIPTION
1	Ø3.875" DRILLED HOLE.
	OVERALL HEIGHT 32.00"

NOTE: SURFACE WARP SHOULD NOT EXCEED 0.25" ON ANY FLAT.

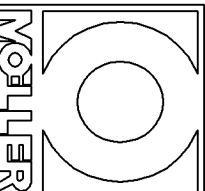
NOTE: ALL EDGES R0.38 UNLESS OTHERWISE NOTED



NO.	REVISION	DATE



THIS DRAWING AND THE ATTACHED DRAWINGS (AND THE DATA SHOWN THEREON) IS CONFIDENTIAL AND PROPRIETARY AND SHALL NOT BE USED, DISCLOSED TO OTHERS, REPRODUCED FOR ANY PURPOSE EXCEPT FOR QUOTATION TO OR ORDER BY MOELLER MARINE PRODUCTS, INC. AND/OR IT'S SUBSIDIARIES WITHOUT THEIR WRITTEN CONSENT TO THE USE OF SUCH DRAWINGS AND/OR DATA.



DESCRIPTION	COMMAND CONSOLE
PART #	ST1531H
MATERIAL	LINEAR POLYETHYLENE
TOLERANCES	±1.5% UNLESS OTHERWISE NOTED
WALL THK.	0.188" NOMINAL
DRAWN BY	MOELLER ENGINEERING
	COLOR BLACK
	DATE 2/16/07