

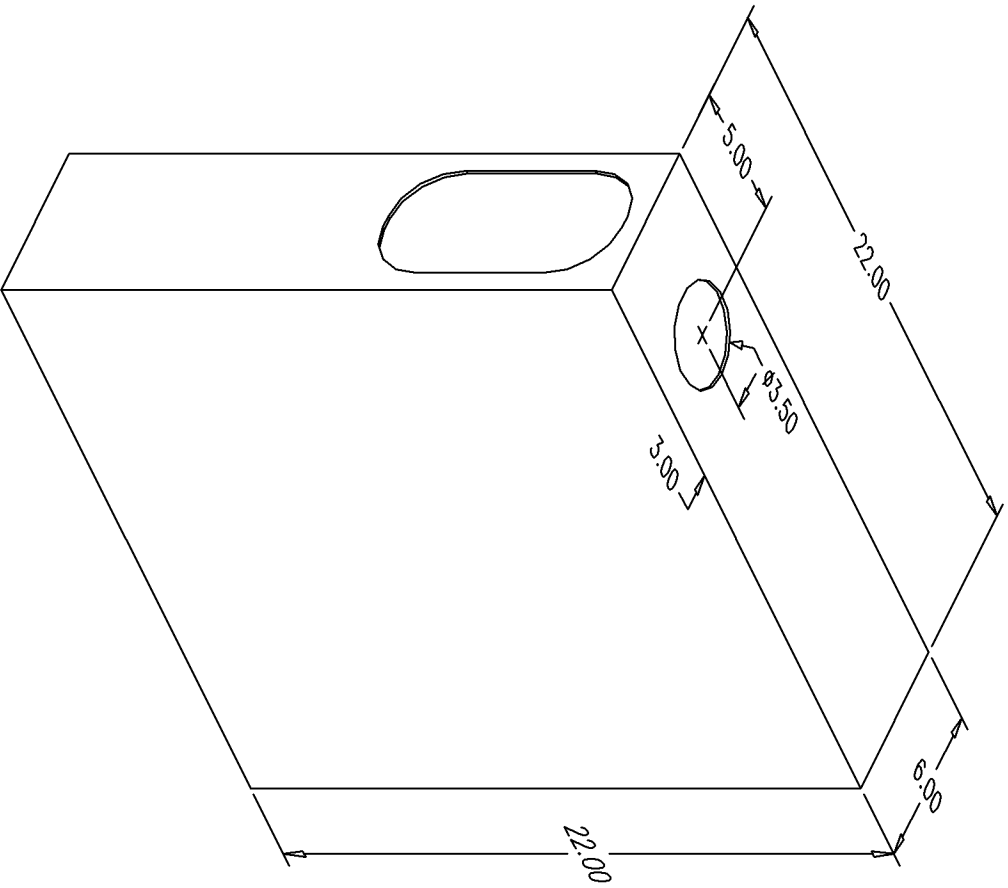
BILL of MATERIALS

NO.

REVISION

DATE

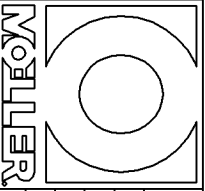
Qty.	DESCRIPTION
1	Ø3.50 DRILLED HOLE
4	Ø0.38 MOUNTING HOLES
1	Ø0.38 DRAIN HOLE
1	CUT-OUT
	OVERALL HEIGHT 22.00"



NOTE: ALL EDGES R0.38
UNLESS OTHERWISE NOTED

PAGE 1 OF 3

THIS DRAWING AND THE ATTACHED DRAWINGS (AND THE DATA SHOWN THEREON) IS CONFIDENTIAL AND PROPRIETARY AND SHALL NOT BE USED, DISCLOSED TO OTHERS, REPRODUCED FOR ANY PURPOSE EXCEPT FOR QUOTATION TO OR ORDER BY MOELLER MARINE PRODUCTS, INC. AND/OR ITS SUBSIDIARIES WITHOUT THEIR WRITTEN CONSENT TO THE USE OF SUCH DRAWINGS AND/OR DATA.



DESCRIPTION	RIGHT / LEFT ARM REST
PART #	ST1527-RG
MATERIAL	LINEAR POLYETHYLENE (REGROUND)
TOLERANCES	±1.5% UNLESS OTHERWISE NOTED
WALL THK.	0.125" NOMINAL
DRAWN BY	MOELLER ENGINEERING

