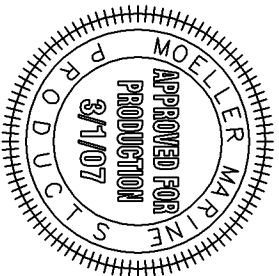
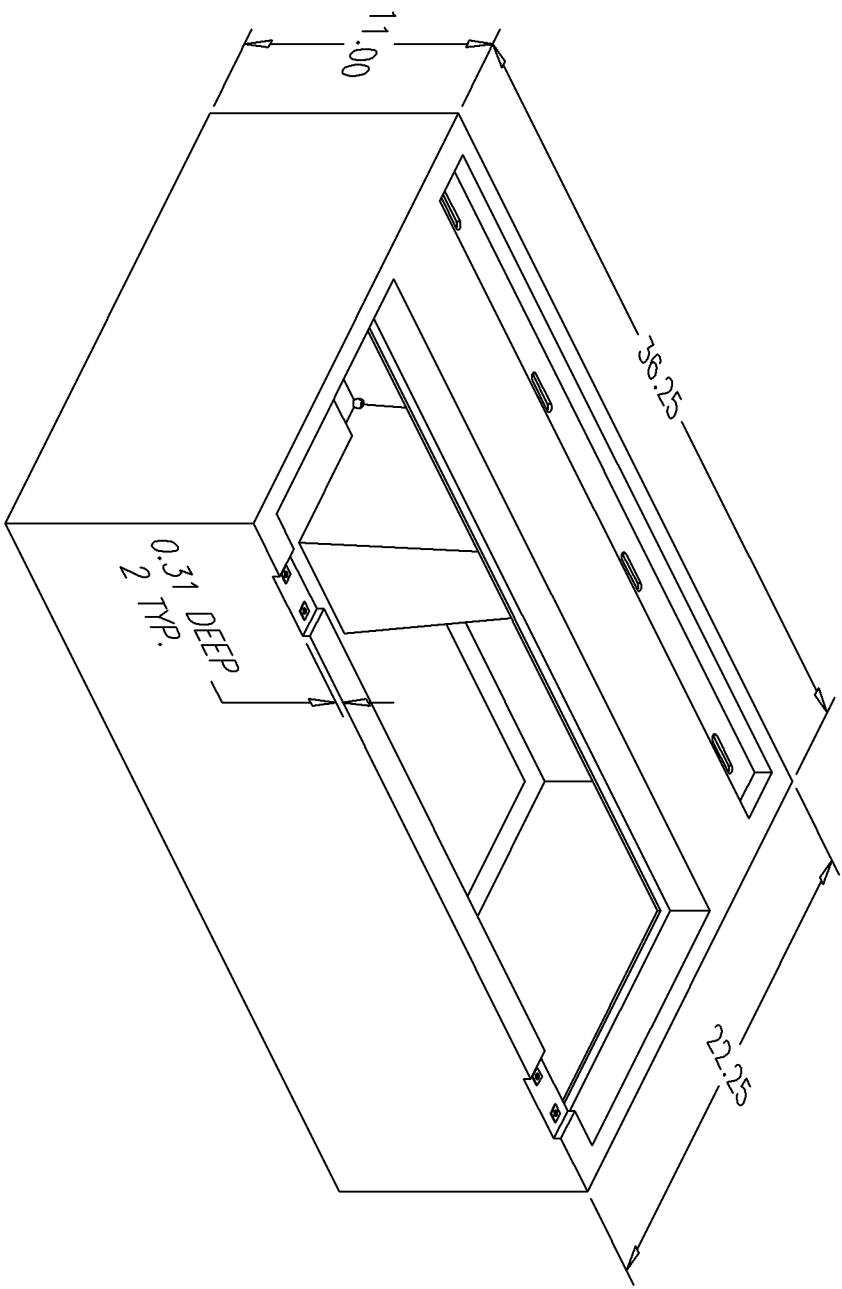


# BILL of MATERIALS

Qty.	DESCRIPTION
4	1/4-20 ALUM INSERTS
4	0.38" X 2.00" MOUNTING SLOTS
4	Ø0.38" DRAIN HOLES
1	CUT-OUT
OVERALL HEIGHT 11.00"	

NO.	REVISION	DATE

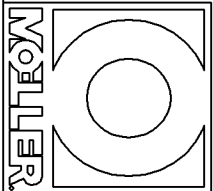


NOTE: ALL EDGES R0.38  
UNLESS OTHERWISE NOTED

PAGE 1 OF 4

© 2007 MOELLER MARINE PRODUCTS  
ALL RIGHT RESERVED

THIS DRAWING AND THE ATTACHED DRAWINGS (AND THE DATA SHOWN THEREON) IS CONFIDENTIAL AND PROPRIETARY AND SHALL NOT BE USED, DISCLOSED TO OTHERS, REPRODUCED FOR ANY PURPOSE EXCEPT FOR QUOTATION TO OR ORDER BY MOELLER MARINE PRODUCTS, INC. AND/OR ITS SUBSIDIARIES WITHOUT THEIR WRITTEN CONSENT TO THE USE OF SUCH DRAWINGS AND/OR DATA.



DESCRIPTION	36.00" BASE / BLACK
PART #	ST1524H
MATERIAL	LINEAR POLYETHYLENE
TOLERANCES	±1.5% UNLESS OTHERWISE NOTED
WALL THK.	0.150" NOMINAL
DRAWN BY	MOELLER ENGINEERING
DATE	3/1/07