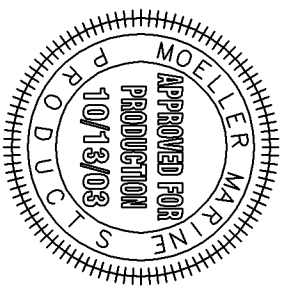
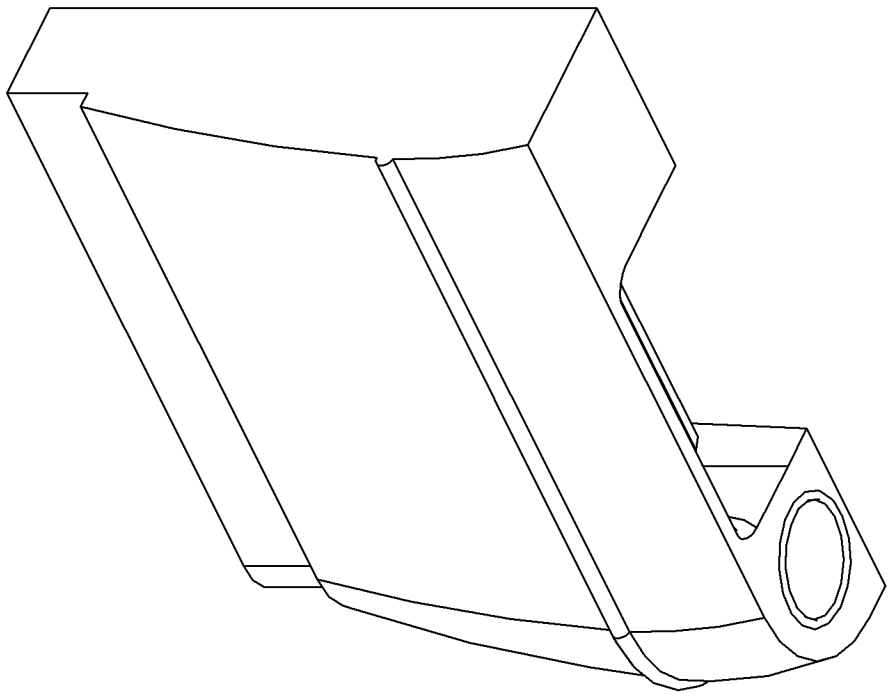


# BILL of MATERIALS

Qty.	DESCRIPTION
3	1/4-20 T-NUTS
OVERALL HEIGHT 17.00"	

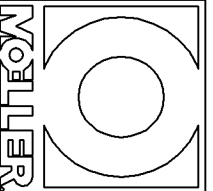
NO.	REVISION	DATE
1	CHANGE COLOR TO GRAY.	10/30/01
2	ADD (3) T-NUTS.	12/19/01



NOTE: ALL EDGES R0.38  
UNLESS OTHERWISE NOTED

PAGE 1 OF 5

THIS DRAWING AND THE ATTACHED DRAWINGS (AND THE DATA SHOWN THEREON) IS CONFIDENTIAL AND PROPRIETARY AND SHALL NOT BE USED, DISCLOSED TO OTHERS, REPRODUCED FOR ANY PURPOSE EXCEPT FOR QUOTATION TO OR ORDER BY MOELLER MARINE PRODUCTS, INC. AND/OR ITS SUBSIDIARIES WITHOUT THEIR WRITTEN CONSENT TO THE USE OF SUCH DRAWINGS AND/OR DATA.



DESCRIPTION	RIGHT ARM REST
PART #	ST1521
MATERIAL	LINEAR POLYETHYLENE
TOLERANCES	±1.5% UNLESS OTHERWISE NOTED
WALL THK.	0.150" NOMINAL
DRAWN BY	MOELLER ENGINEERING
COLOR	GRAY
DATE	12/19/01