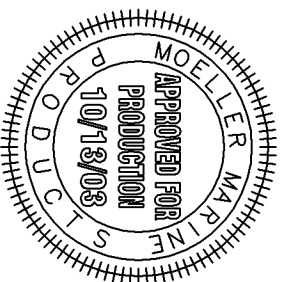
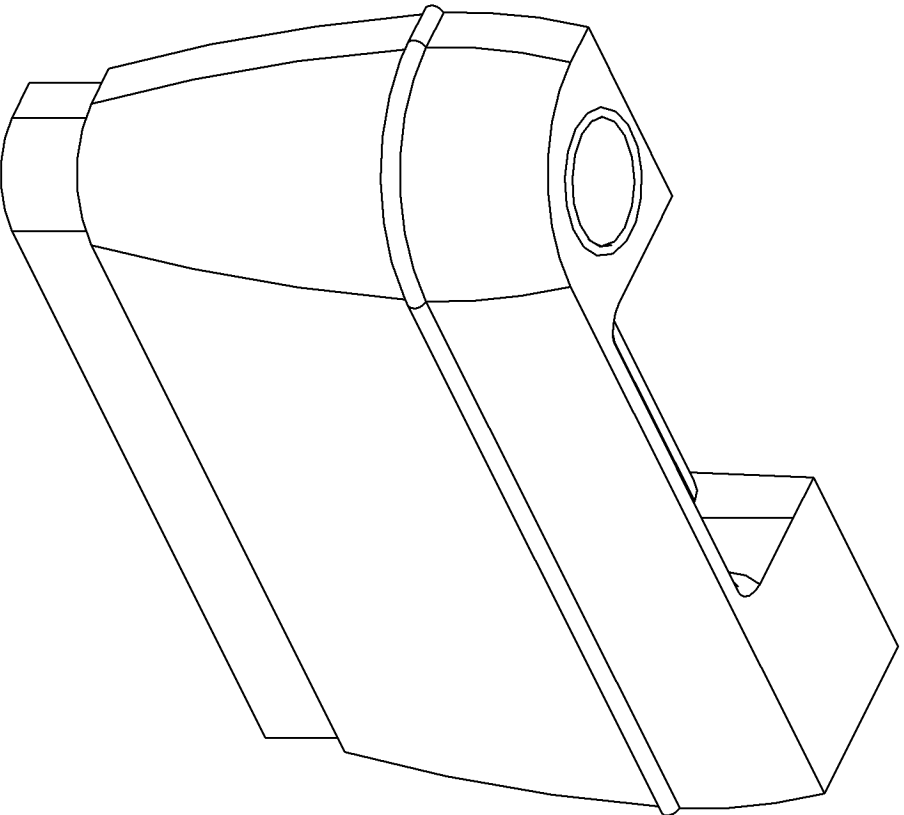


BILL of MATERIALS

Qty.	DESCRIPTION
3	1/4-20 T-NUTS
OVERALL HEIGHT 17.00"	

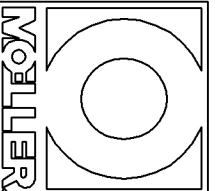
NO.	REVISION	DATE
1	CHANGE COLOR TO GRAY.	10/30/01
2	ADD (3) 1/4-20 T-NUTS.	12/18/01



NOTE: ALL EDGES R0.38
UNLESS OTHERWISE NOTED

PAGE 1 OF 4

THIS DRAWING AND THE ATTACHED DRAWINGS (AND THE DATA SHOWN THEREON) IS CONFIDENTIAL AND PROPRIETARY AND SHALL NOT BE USED, DISCLOSED TO OTHERS, REPRODUCED FOR ANY PURPOSE EXCEPT FOR QUOTATION TO OR ORDER BY MOELLER MARINE PRODUCTS, INC. AND/OR IT'S SUBSIDIARIES WITHOUT THEIR WRITTEN CONSENT TO THE USE OF SUCH DRAWINGS AND/OR DATA.



DESCRIPTION	LEFT ARM REST	
PART #	ST1520	COLOR GRAY
MATERIAL	LINEAR POLYETHYLENE	
TOLERANCES	±1.5% UNLESS OTHERWISE NOTED	
WALL THK.	0.150" NOMINAL	DATE 12/18/01
DRAWN BY	MOELLER ENGINEERING	