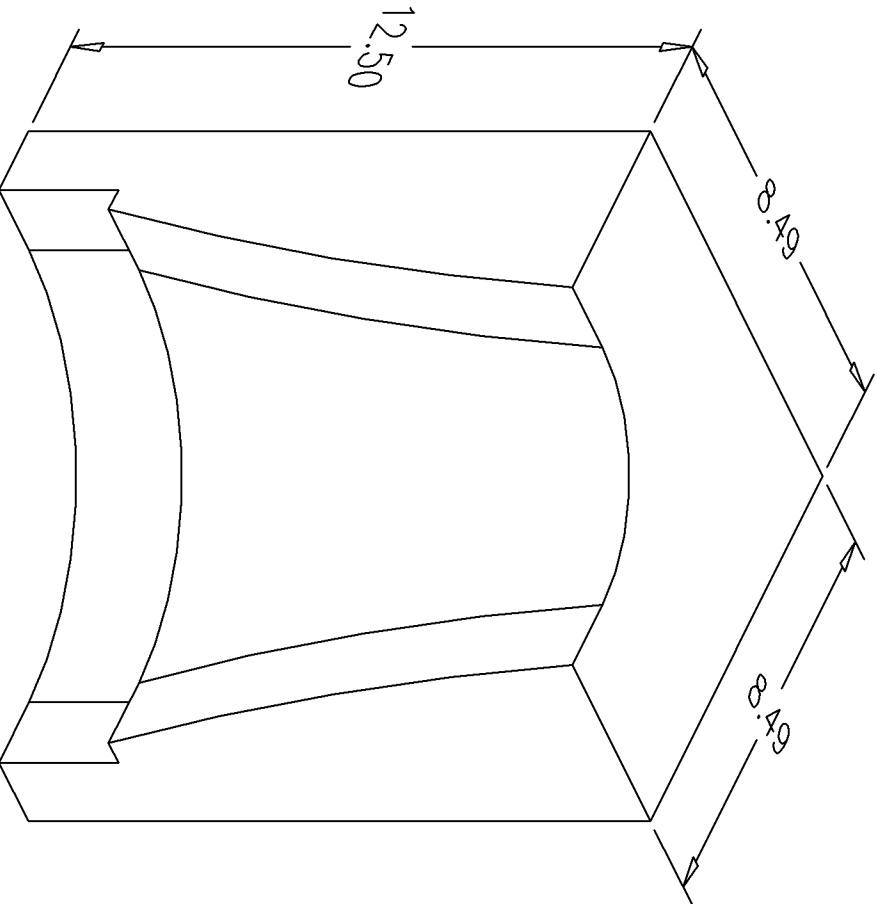


# BILL of MATERIALS

Qty.	DESCRIPTION
	OVERALL HEIGHT 12.50"

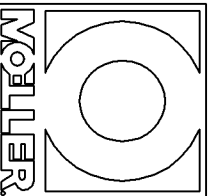
NO.	REVISION	DATE
1	REVERSE NOTCHES & CHANGE COLOR TO GRAY.	11/15/01
2	ADD SCREW RECESSES.	11/1/06



NOTE: ALL EDGES R0.38  
UNLESS OTHERWISE NOTED

PAGE 1 OF 5

THIS DRAWING AND THE ATTACHED DRAWINGS (AND THE DATA SHOWN THEREON) IS CONFIDENTIAL AND PROPRIETARY AND SHALL NOT BE USED, DISCLOSED TO OTHERS, REPRODUCED FOR ANY PURPOSE EXCEPT FOR QUOTATION TO OR ORDER BY MOELLER MARINE PRODUCTS, INC. AND/OR ITS SUBSIDIARIES WITHOUT THEIR WRITTEN CONSENT TO THE USE OF SUCH DRAWINGS AND/OR DATA.



DESCRIPTION	27" TAKE DOWN - CORNER / FRONT		
PART #	ST1518	COLOR	GRAY
MATERIAL	LINEAR POLYETHYLENE		
TOLERANCES	±1.5% UNLESS OTHERWISE NOTED		
WALL THK.	0.150" NOMINAL	DATE	12/15/06
DRAWN BY	MOELLER ENGINEERING		

