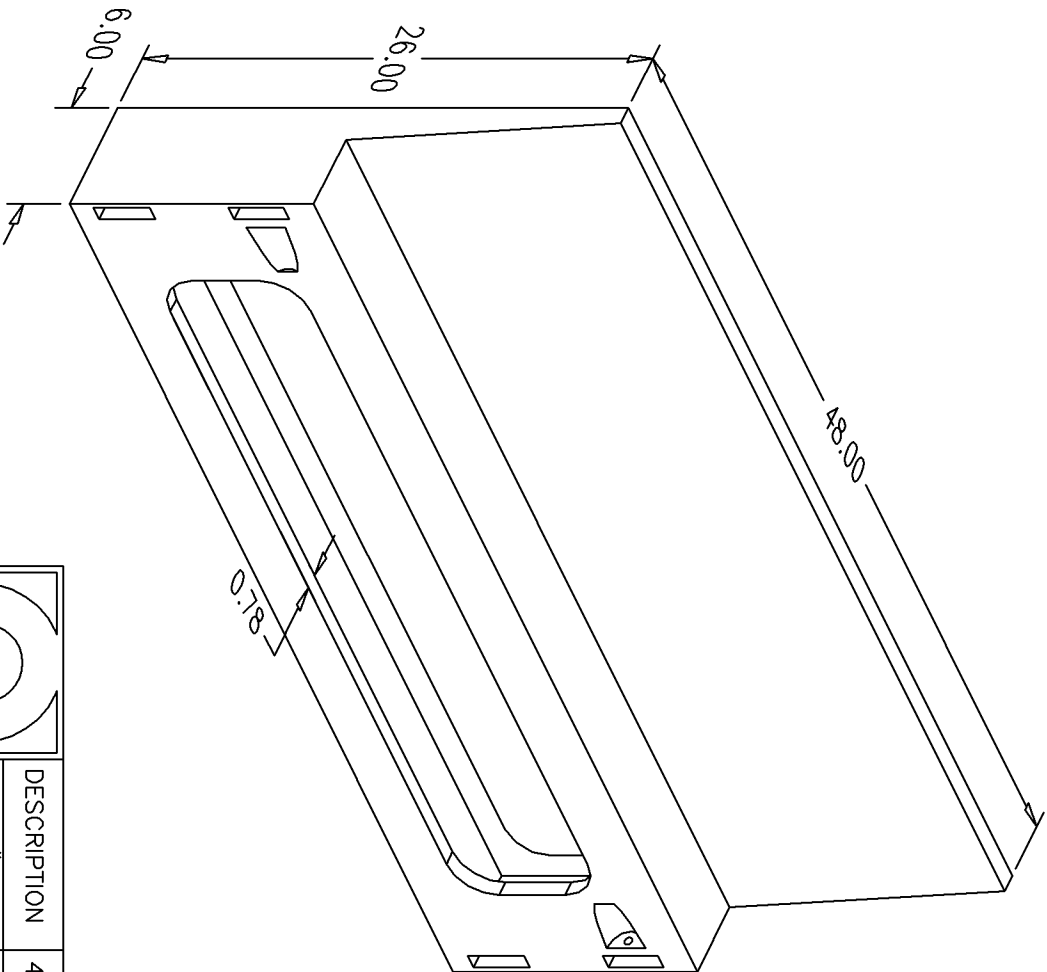


# BILL of MATERIALS

Qty.	DESCRIPTION
3	Ø0.25 DRILLED HOLES
	OVERALL HEIGHT 26.00"

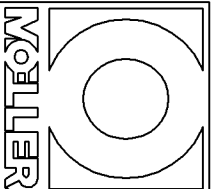
NO.	REVISION	DATE
1	REVISE NOTCHES, ADD (3) Ø0.25 DRILLED HOLES, & CHANGE COLOR TO GRAY.	11/15/01
2	ADD SCREW RECESSES.	11/1/06



NOTE: ALL EDGES R0.38  
UNLESS OTHERWISE NOTED

PAGE 1 OF 6

THIS DRAWING AND THE ATTACHED DRAWINGS (AND THE DATA SHOWN THEREON) IS CONFIDENTIAL AND PROPRIETARY AND SHALL NOT BE USED, DISCLOSED TO OTHERS, REPRODUCED FOR ANY PURPOSE EXCEPT FOR QUOTATION TO OR ORDER BY MOELLER MARINE PRODUCTS, INC. AND/OR ITS SUBSIDIARIES WITHOUT THEIR WRITTEN CONSENT TO THE USE OF SUCH DRAWINGS AND/OR DATA.



DESCRIPTION	48" TAKE DOWN SEATING - BACK		
PART #	ST1516	COLOR	GRAY
MATERIAL	LINEAR POLYETHYLENE		
TOLERANCES	±1.5% UNLESS OTHERWISE NOTED		
WALL THK.	0.150" NOMINAL	DATE	12/14/06
DRAWN BY	MOELLER ENGINEERING		

