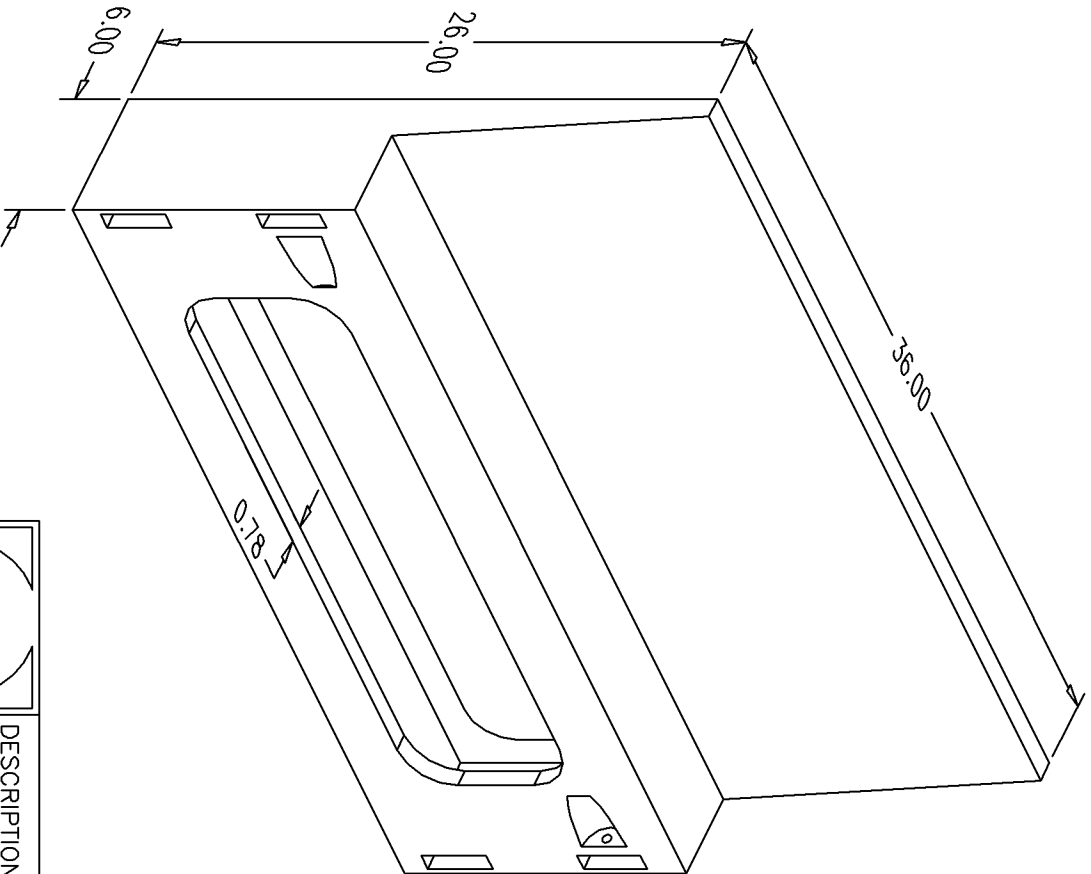


BILL of MATERIALS

Qty.	DESCRIPTION
3	Ø0.25 DRILLED HOLES
	OVERALL HEIGHT 26.00"

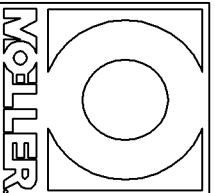
NO.	REVISION	DATE
1	REVISE NOTCHES, ADD HOLES TO BOTTOM, & CHANGE COLOR TO GRAY.	11/15/01
2	ADD SCREW RECESSES.	11/1/06



NOTE: ALL EDGES R0.38
UNLESS OTHERWISE NOTED

PAGE 1 OF 6

THIS DRAWING AND THE ATTACHED DRAWINGS (AND THE DATA SHOWN THEREON) IS CONFIDENTIAL AND PROPRIETARY AND SHALL NOT BE USED, DISCLOSED TO OTHERS, REPRODUCED FOR ANY PURPOSE EXCEPT FOR QUOTATION TO OR ORDER, BY MOELLER MARINE PRODUCTS, INC. AND/OR ITS SUBSIDIARIES WITHOUT THEIR WRITTEN CONSENT TO THE USE OF SUCH DRAWINGS AND/OR DATA.



DESCRIPTION	36" TAKE DOWN SEATING - BACK	
PART #	ST1515	COLOR GRAY
MATERIAL	LINEAR POLYETHYLENE	
TOLERANCES	±1.5% UNLESS OTHERWISE NOTED	
WALL THK.	0.150" NOMINAL	DATE 12/14/06
DRAWN BY	MOELLER ENGINEERING	

