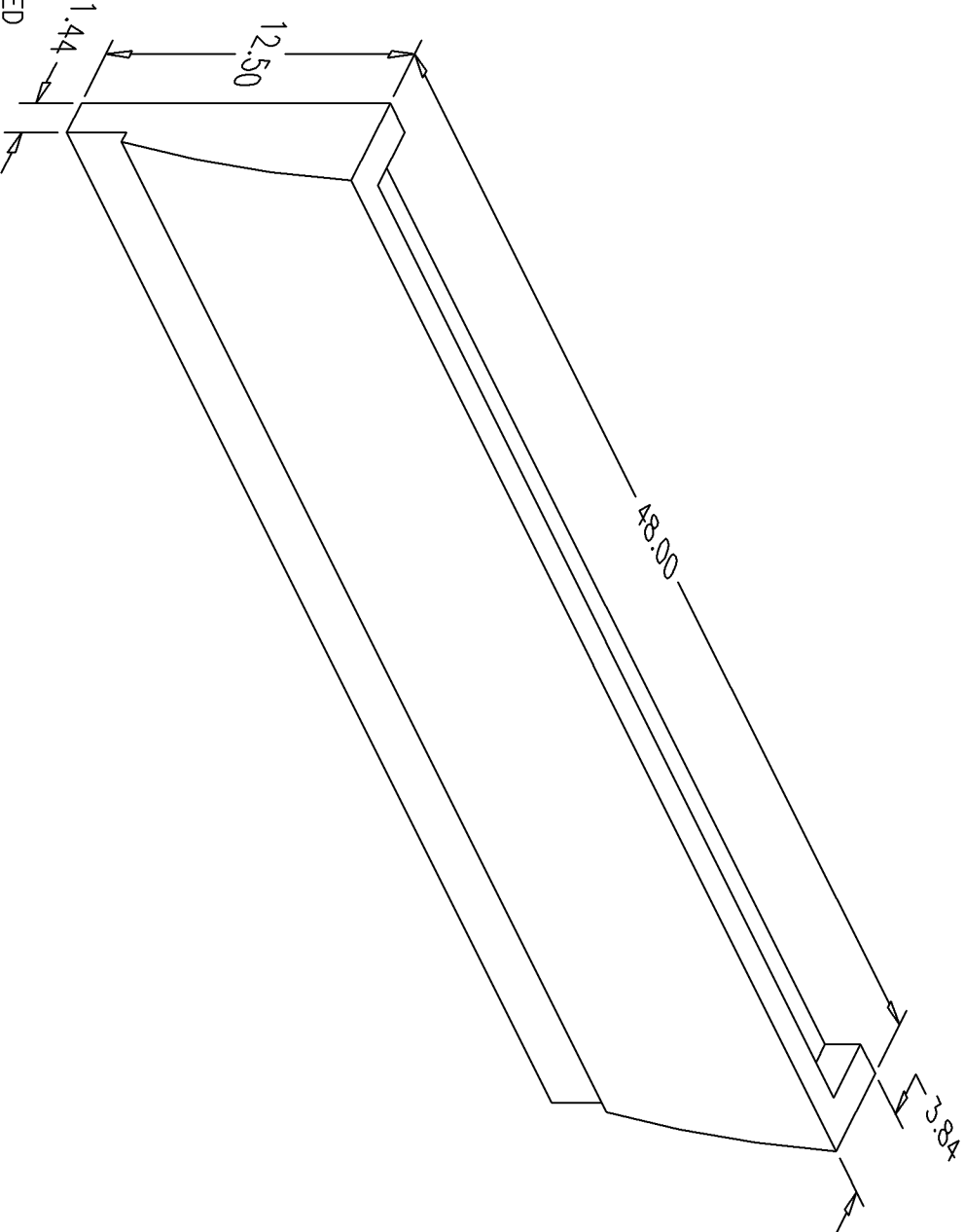


# BILL of MATERIALS

Qty.	DESCRIPTION
1	Ø0.25 DRILLED HOLE
	OVERALL HEIGHT 12.50"

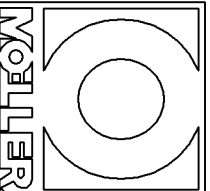
NO.	REVISION	DATE
1	REVISE NOTCHES, CHANGE COLOR TO GRAY, & ADD Ø0.25 DRILLED HOLE TO BACK.	11/14/01
2	ADD SCREW RECESSES IN BACK.	11/1/06



NOTE: ALL EDGES R0.38  
UNLESS OTHERWISE NOTED

PAGE 1 OF 6

THIS DRAWING AND THE ATTACHED DRAWINGS (AND THE DATA SHOWN THEREON) IS CONFIDENTIAL AND PROPRIETARY AND SHALL NOT BE USED, DISCLOSED TO OTHERS, REPRODUCED FOR ANY PURPOSE EXCEPT FOR QUOTATION TO OR ORDER BY MOELLER MARINE PRODUCTS, INC. AND/OR ITS SUBSIDIARIES WITHOUT THEIR WRITTEN CONSENT TO THE USE OF SUCH DRAWINGS AND/OR DATA.



DESCRIPTION	48" TAKE DOWN SEATING - FRONT		
PART #	ST1512	COLOR	GRAY
MATERIAL	LINEAR POLYETHYLENE		
TOLERANCES	±1.5% UNLESS OTHERWISE NOTED		
WALL THK.	0.150" NOMINAL		
DRAWN BY	MOELLER ENGINEERING		

